

ISSN 2518-1726 (Online),  
ISSN 1991-346X (Print)

ҚАЗАҚСТАН РЕСПУБЛИКАСЫ  
ҰЛТТЫҚ ҒЫЛЫМ АКАДЕМИЯСЫНЫҢ  
Әль-фараби атындағы Қазақ ұлттық университетінің

# Х А Б А Р Л А Р Ы

---

---

## ИЗВЕСТИЯ

НАЦИОНАЛЬНОЙ АКАДЕМИИ НАУК  
РЕСПУБЛИКИ КАЗАХСТАН  
Қазақстан Республикасының  
Ғылым Академиясының  
Әль-Фараби атындағы  
Қазақ ұлттық университетінің

## NEWS

OF THE NATIONAL ACADEMY OF SCIENCES  
OF THE REPUBLIC OF KAZAKHSTAN  
Al-farabi kazakh  
national university

**SERIES**  
**PHYSICO-MATHEMATICAL**

**3 (325)**

**MAY - JUNE 2019**

PUBLISHED SINCE JANUARY 1963

PUBLISHED 6 TIMES A YEAR

ALMATY, NAS RK

Б а с р е д а к т о р ы  
ф.-м.ғ.д., проф., ҚР ҰҒА академигі **Ғ.М. Мұтанов**

Р е д а к ц и я а л қ а с ы:

**Жұмаділдаев А.С.** проф., академик (Қазақстан)  
**Кальменов Т.Ш.** проф., академик (Қазақстан)  
**Жантаев Ж.Ш.** проф., корр.-мүшесі (Қазақстан)  
**Өмірбаев У.У.** проф. корр.-мүшесі (Қазақстан)  
**Жүсіпов М.А.** проф. (Қазақстан)  
**Жұмабаев Д.С.** проф. (Қазақстан)  
**Асанова А.Т.** проф. (Қазақстан)  
**Бошқаев К.А.** PhD докторы (Қазақстан)  
**Сұраған Д.** корр.-мүшесі (Қазақстан)  
**Quevedo Hernando** проф. (Мексика),  
**Джунушалиев В.Д.** проф. (Қырғыстан)  
**Вишневский И.Н.** проф., академик (Украина)  
**Ковалев А.М.** проф., академик (Украина)  
**Михалевич А.А.** проф., академик (Белорус)  
**Пашаев А.** проф., академик (Әзірбайжан)  
**Такибаев Н.Ж.** проф., академик (Қазақстан), бас ред. орынбасары  
**Тигиняну И.** проф., академик (Молдова)

«ҚР ҰҒА Хабарлары. Физика-математикалық сериясы».

ISSN 2518-1726 (Online), ISSN 1991-346X (Print)

Меншіктенуші: «Қазақстан Республикасының Ұлттық ғылым академиясы» РҚБ (Алматы қ.)  
Қазақстан республикасының Мәдениет пен ақпарат министрлігінің Ақпарат және мұрағат комитетінде  
01.06.2006 ж. берілген №5543-Ж мерзімдік басылым тіркеуіне қойылу туралы куәлік

Мерзімділігі: жылына 6 рет.  
Тиражы: 300 дана.

Редакцияның мекенжайы: 050010, Алматы қ., Шевченко көш., 28, 219 бөл., 220, тел.: 272-13-19, 272-13-18,  
<http://physics-mathematics.kz/index.php/en/archive>

---

© Қазақстан Республикасының Ұлттық ғылым академиясы, 2019

Типографияның мекенжайы: «Аруна» ЖК, Алматы қ., Муратбаева көш., 75.

Главный редактор  
д.ф.-м.н., проф. академик НАН РК **Г.М. Мутанов**

Редакционная коллегия:

**Джумадильдаев А.С.** проф., академик (Казахстан)  
**Кальменов Т.Ш.** проф., академик (Казахстан)  
**Жантаев Ж.Ш.** проф., чл.-корр. (Казахстан)  
**Умирбаев У.У.** проф. чл.-корр. (Казахстан)  
**Жусупов М.А.** проф. (Казахстан)  
**Джумабаев Д.С.** проф. (Казахстан)  
**Асанова А.Т.** проф. (Казахстан)  
**Бошкаев К.А.** доктор PhD (Казахстан)  
**Сураган Д.** чл.-корр. (Казахстан)  
**Quevedo Hernando** проф. (Мексика),  
**Джунушалиев В.Д.** проф. (Кыргызстан)  
**Вишневский И.Н.** проф., академик (Украина)  
**Ковалев А.М.** проф., академик (Украина)  
**Михалевич А.А.** проф., академик (Беларусь)  
**Пашаев А.** проф., академик (Азербайджан)  
**Такибаев Н.Ж.** проф., академик (Казахстан), зам. гл. ред.  
**Тигиняну И.** проф., академик (Молдова)

«Известия НАН РК. Серия физико-математическая».

ISSN 2518-1726 (Online), ISSN 1991-346X (Print)

Собственник: РОО «Национальная академия наук Республики Казахстан» (г. Алматы)

Свидетельство о постановке на учет периодического печатного издания в Комитете информации и архивов  
Министерства культуры и информации Республики Казахстан №5543-Ж, выданное 01.06.2006 г.

Периодичность: 6 раз в год.

Тираж: 300 экземпляров.

Адрес редакции: 050010, г. Алматы, ул. Шевченко, 28, ком. 219, 220, тел.: 272-13-19, 272-13-18,  
<http://physics-mathematics.kz/index.php/en/archive>

---

© Национальная академия наук Республики Казахстан, 2019

Адрес типографии: ИП «Аруна», г. Алматы, ул. Муратбаева, 75.

E d i t o r i n c h i e f  
doctor of physics and mathematics, professor, academician of NAS RK **G.M. Mutanov**

E d i t o r i a l b o a r d:

**Dzhumadildayev A.S.** prof., academician (Kazakhstan)  
**Kalmenov T.Sh.** prof., academician (Kazakhstan)  
**Zhantayev Zh.Sh.** prof., corr. member. (Kazakhstan)  
**Umirbayev U.U.** prof. corr. member. (Kazakhstan)  
**Zhusupov M.A.** prof. (Kazakhstan)  
**Dzhumabayev D.S.** prof. (Kazakhstan)  
**Asanova A.T.** prof. (Kazakhstan)  
**Boshkayev K.A.** PhD (Kazakhstan)  
**Suragan D.** corr. member. (Kazakhstan)  
**Quevedo Hernando** prof. (Mexico),  
**Dzhunushaliyev V.D.** prof. (Kyrgyzstan)  
**Vishnevskiy I.N.** prof., academician (Ukraine)  
**Kovalev A.M.** prof., academician (Ukraine)  
**Mikhalevich A.A.** prof., academician (Belarus)  
**Pashayev A.** prof., academician (Azerbaijan)  
**Takibayev N.Zh.** prof., academician (Kazakhstan), deputy editor in chief.  
**Tiginyanu I.** prof., academician (Moldova)

**News of the National Academy of Sciences of the Republic of Kazakhstan. Physical-mathematical series.**

**ISSN 2518-1726 (Online), ISSN 1991-346X (Print)**

Owner: RPA "National Academy of Sciences of the Republic of Kazakhstan" (Almaty)

The certificate of registration of a periodic printed publication in the Committee of information and archives of the Ministry of culture and information of the Republic of Kazakhstan N 5543-Ж, issued 01.06.2006

Periodicity: 6 times a year

Circulation: 300 copies

Editorial address: 28, Shevchenko str., of. 219, 220, Almaty, 050010, tel. 272-13-19, 272-13-18,  
<http://physics-mathematics.kz/index.php/en/archive>

---

© National Academy of Sciences of the Republic of Kazakhstan, 2019

Address of printing house: ST "Aruna", 75, Muratbayev str, Almaty

NEWS

OF THE NATIONAL ACADEMY OF SCIENCES OF THE REPUBLIC OF KAZAKHSTAN

PHYSICO-MATHEMATICAL SERIES

ISSN 1991-346X

<https://doi.org/10.32014/2019.2518-1726.33>

Volume 3, Number 325 (2019), 140 – 152

Wojcik Waldemar<sup>1</sup>, S.A.Kulmamirov<sup>2</sup>, Zh.M.Alimzhanova<sup>2</sup>,  
L.M. Alimzhanova<sup>2</sup>, A.M. Akhmetova<sup>2</sup>, V.I. Karyukin<sup>2</sup>

<sup>1</sup>The Lublin University of Technology;

<sup>2</sup>Kazakh National University al-Farabi

## STUDY OF THE STABILITY OF THE REGULATOR BALANCING ROBOT NI MINDSTORMS

**Abstract.** The article presents the results of studying the steady state of a balancing robot when the control is carried out in a closed state. The synthesis of the controller's coefficients was carried out by estimating the root of the characteristic equation and the linear quadratic regulator. Under the action of the PID controller, algorithms for controlling the robot servos were compiled. The results of the experimental studies allowed us to construct transient characteristics in a closed robot control system while balancing the state of the robot in a steady state and in motion.

**Evaluation of the stability of the robot.** The control system of the balancing robot is asymptotically stable if its steady-state value at the time of its movement or at the moment of stopping will tend to zero regardless of the initial conditions, in the absence of input influences:  $\lim_{t \rightarrow \infty} x(t) = 0$ . It is assumed that the movement of the robot is described by a standard equation of the form:  $\dot{x}(t) = Ax(t) + Bu(t)$  [1]. In order for the robot to be asymptotically stable, it is necessary and sufficient that the real part of all the eigenvalues of the matrix be negative [2-6].

Feedbacks object state control. Let us consider that the robot under the study of a control object is a closed system, the block diagram of which is shown in Figure 1. The feedback control action is determined by the product of the proportionality coefficient  $K$  and the difference between the desired values and the measured values.

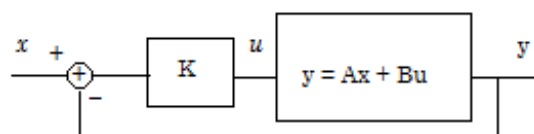


Figure 1 Feedback control

The control action and the status of SIS threads shown in Figure 1 describe the following equations:

$$\begin{aligned} u(t) &= -K(y(t) - x(t)), \\ \dot{x}(t) &= (A - BK)y(t) + BKx(t). \end{aligned} \quad (1)$$

It is necessary to maintain the system under the study of a steady state by dividing by the count value of the matrix  $K$ . Changing these values entails a change of b-governmental numbers of the matrix  $(A - B * K)$ . For sustainable regulation of a closed robot system, it is necessary for it to be controlled. The system will be controllable if the rank of the matrix  $M$  coincides with the rank of the matrix  $A$ . Here  $M_c = [B, AB, \dots, A^{n-1}B]$  you can use the `ctrb` command to determine manageability in the ControlSystemToolbox environment. There are 2 main methods for calculating feedback coefficients:

1) Calculation of the desired roots. The method describes the calculation of the coefficients  $K$  with the creation of the desired eigenvalues of the matrix  $A - B * K$ . In the ControlSystemToolbox for the calculation, you can use the `place` function.

**Example 1.** K coefficients are described in the first communication system with closed CONCRETE and GOVERNMENTAL parameter values  $A = [0,1; -2; -3]$  and  $B = [0;1]$ . Pole values are  $[-5, -6]$ .

```

>> A = [0,1, -2, -3]; B = [0, 1];
>> poles = [-5, -6];
>> K = place(A, B, poles)
K = 28,0 8,0
    
```

2) Linear square regulator M is received by calculating the coefficients of the matrix  $K$  on the basis of minimizing the value of the functional  $J$  calculated in the following form:

$$J = \int_0^{\infty} (x(t)^T Q x(t) + u(t)^T R u(t)) dt$$

Parameters are adjusted by selecting the weight matrices of the state  $Q$  and the input action  $R$ , which are selected on the basis of the physical nature of the processes. The ControlSystemToolbox application can use the `lqr` functions to calculate a controller.

Example P 2.  $A = [0,1; -2, -3]$ ,  $B = [0; 1]$ ,  $Q = [100, 0; 0, 1]$ ;  $R = 1$ .

```

>> lambda = [0,1, -2, -3]; B = [0, 1];
>> Q = [100, 0; 0, 1]; R = 1;
>> K = lqr(A, B, Q, R)
K = 8,198 2,137
    
```

The control of the servos of the robot is carried out to generate the desired movement of the robot. For this purpose, the PID controller is most often used [16], i.e. a device in the feedback circuit used by an open-loop control system to generate a robot control signal. The PID controller generates a control signal which is the sum of 3 terms, the first of which is proportional to the input signal, the second is the integral of the input signal and the third is the derivative of the input signal.

The purpose of the PID controller is to maintain a given value  $x_0$  of a certain value  $x$  by changing another value of  $u$ . The value of  $x_0$  is called the “setpoint”, and the difference  $e = (x - y)$  is called the “non-residual” or mismatch. The output signal of the regulator  $u$  is determined by three terms:

$$u(t) = P + I + D = K_p e(t) + K_i \int_0^t e(\tau) d\tau + K_d \frac{de}{dt} \tag{2}$$

where  $K_p, K_i, K_d$ , are proportional, integral and differential components of the regulator respectively.

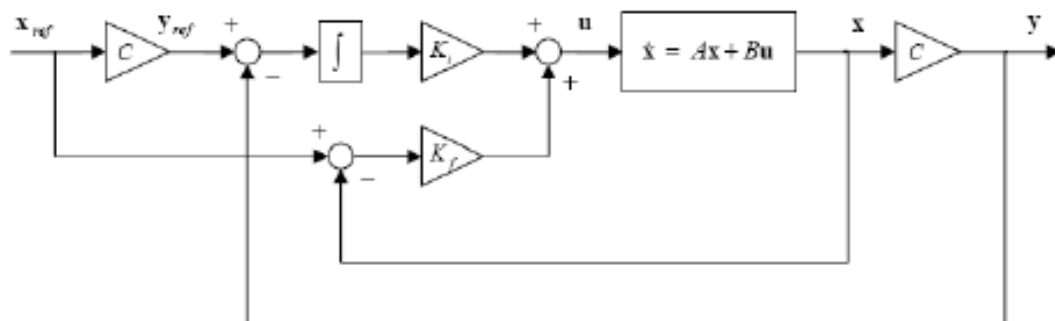


Figure 2 - PID controller

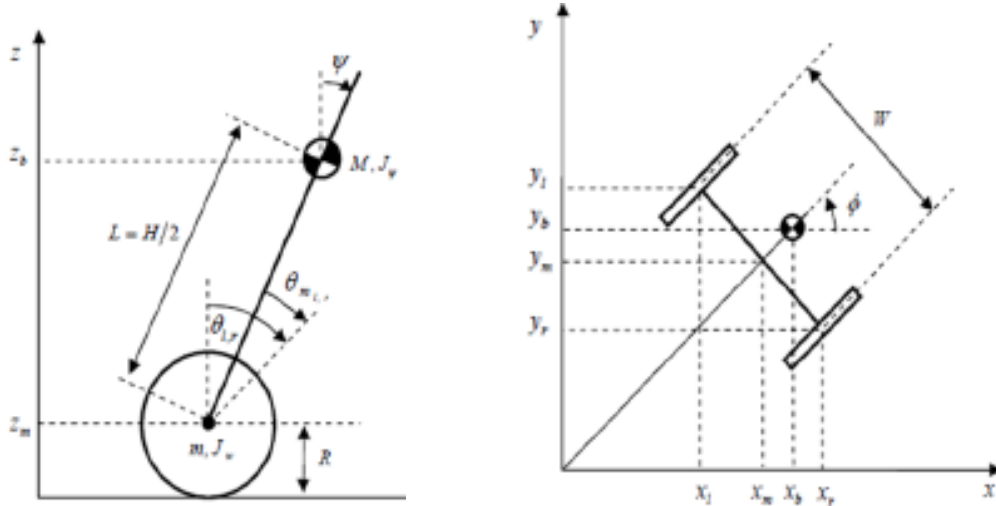


Figure 3 Model Parameter Designation

Figure 3 shows the model parameters indicated for robots: mobile robots of the “Motobot” type [2] and a balancing robot of the “Segway” type [3]. For use in specific studies below are the values of their parameters:

- $g = 9.81$  (m / s<sup>2</sup>) acceleration of gravity;
- $m = 0.03$  (kg) wheel weight;
- $R = 0.035$  (m) wheel radius;
- $J_w = mR^2 / 2$  (kgm<sup>2</sup>) the moment of inertia of the wheel;
- $M = 0.6$  (kg) body weight;
- $W = 0.14$  (m) body width;
- $D = 0.04$  (m) body thickness;
- $H = 0.144$  (m) body height;
- $L = H / 2$  (m) distance to the center of mass from the axis of the wheels;
- $J_\Psi = 2 (M * L) / 3$  (kgm<sup>2</sup>) the moment of inertia of the body is tilted;
- $J_\phi = M (W^2 + D^2) / 12$  (kgm<sup>2</sup>) rotational moment of inertia;
- $J_m = 10^{-5}$  (kgm<sup>2</sup>) the moment of inertia of the engine;
- $K_b = 0.468$  (V \* s / rad) is the counter-emf constant;
- $K_t = 0.317$  (N \* m / A) is the motor torque constant.

Now we know everything to compile the source code of the program for organizing the movement of the robots. Let's call this program “Segway”. First of all, we compose the main control circuit of the robot. The diagram shown in Figure 4 reflects the main window of the program. The key blocks of the program are described above when they conducted an experimental study on assembling a Motobot robot. The rest of the schemes are contained in the `nxtway_` appblock.

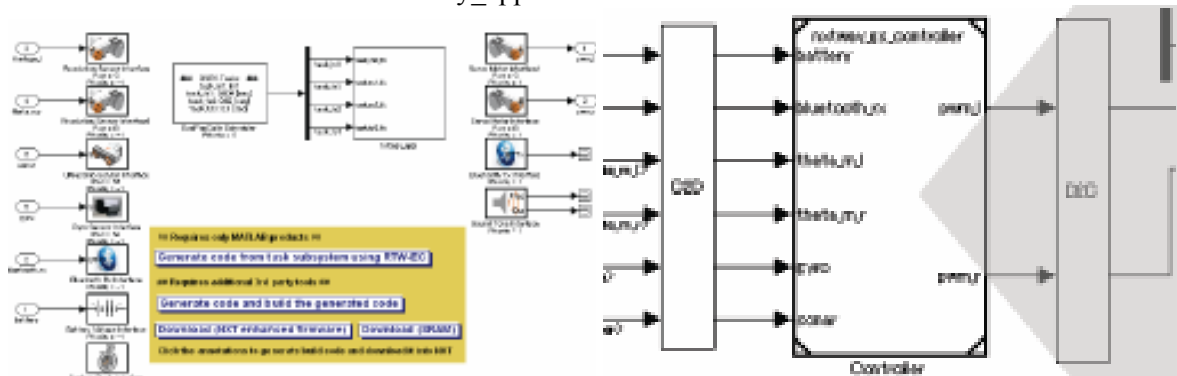


Figure 4 - The program «Segway» (left) for the organization of the movement of the robot with the controller (right)

Figure 5 shows a general diagram of the model with all adjustable registrable inputs/outputs. Shown here are the signals that transmit data on the record, which is conducted via Bluetooth protocol.

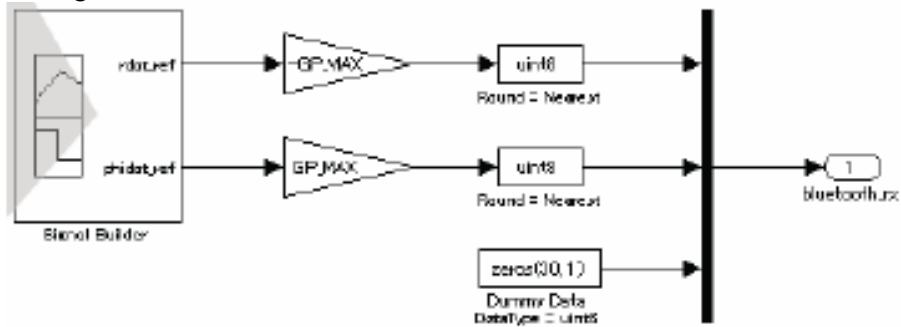


Figure 5 - Control generator diagram

The results of the study made it possible to examine some of the constituent blocks of the robot model in details. ReferenceGenerator is a unit that transmits and limits control actions on the controller. The “Controller” shown in Figure 4 is the block designating the NXT controller. On the left side there are blocks that serve to receive data from sensors, encoders and Bluetooth. On the right side there are blocks that serve to transmit signals to the engines and Bluetooth (Figure 6). The controller unit operates in the discrete time system, and the model unit operates in continuous time mode; therefore, it is necessary to convert the transmitted values.

Figure 7 shows the “NXTway-GS” subsystem, consisting of sensors, drivers, and a linearized model of the robot. It converts the type of input data signals into real values. The subsystem calculates the dynamics of the robot, and displays the recorded data of the results after performing the data sampling procedure. This subsystem defines the parameters of the environment of the robot.

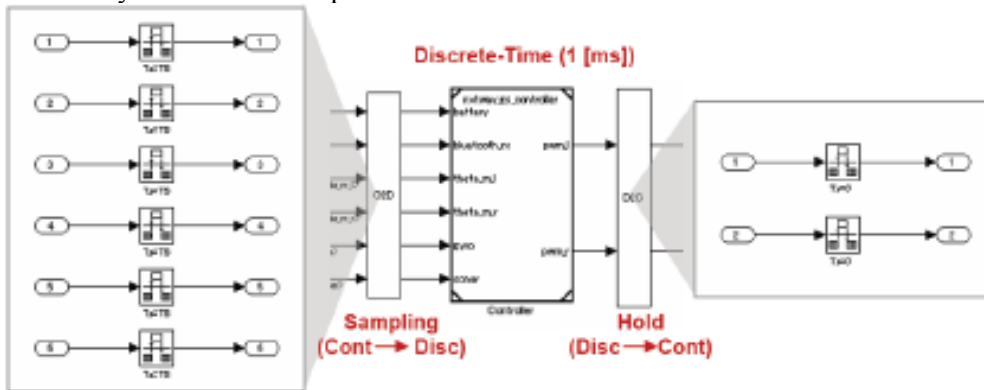


Figure 6 - Circuits of ADC and DAC blocks in models for signal conversion

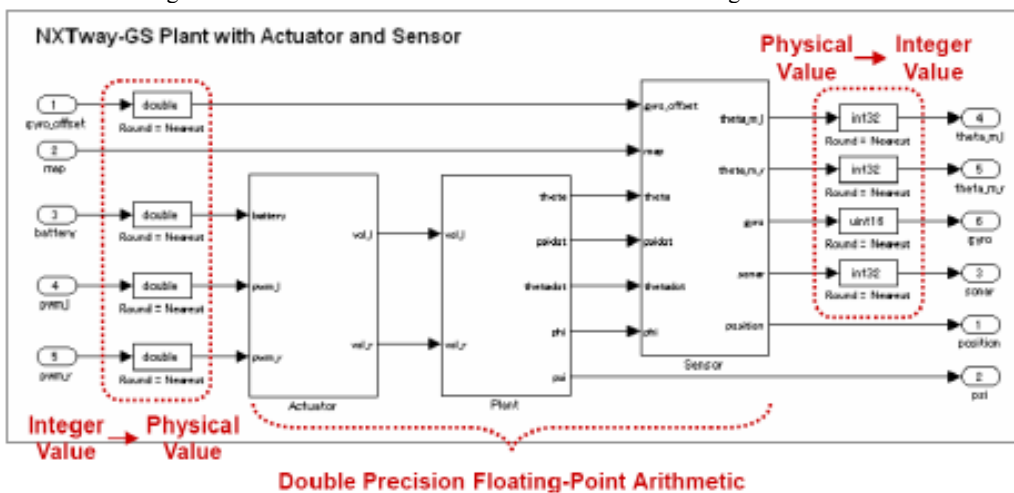


Figure 7 - Scheme servo control depending on the testimony sensors development



The block shown in Figure 7 “Actuator” is a subsystem that converts the power set by the controller to the voltage supplied to the motors. Designated block «Plant» is the model described by equations of double inverted pendulum taking into account the calibration of the gyroscope.

The “Sensor” block converts the values obtained on the state of the model into the output signals of the sensors. Additionally, the distance to obstacles obtained from the ultrasonic distance sensor is calculated. This information may be used for detecting obstructions and avoid collisions with them.

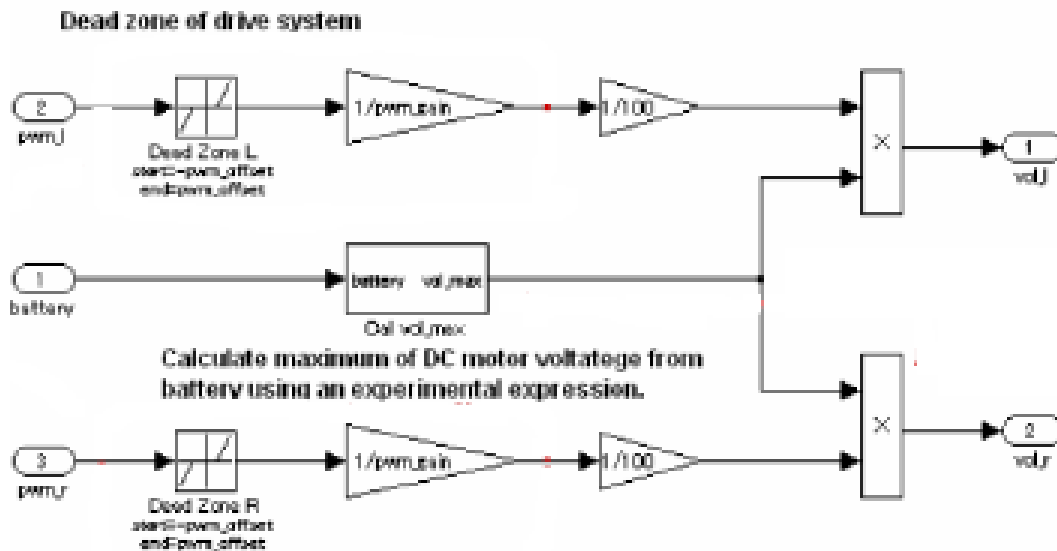


Figure 8 - Drive subsystem

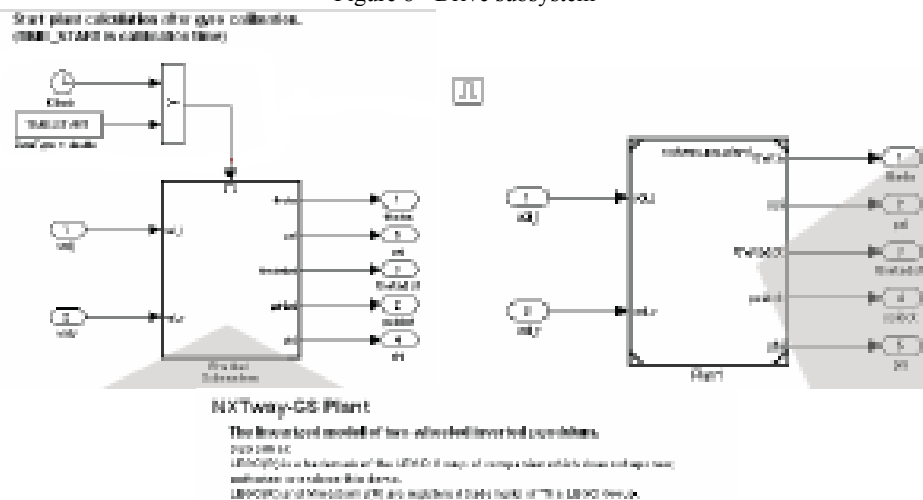


Figure 9 - Model Subsystem

The “Data”, “Store”, and “Memory” blocks are used as general blocks for distributing data between subtasks. Block “task\_ts2” is responsible for detecting obstacles of Corollary robot and evading them. The “task\_ts3” block is responsible for counting the time and checking the battery level of the robot.

Block “task\_ts1” serves for calibration and balancing the gyroscope and for controlling the sound level and writing data. Balancing and control start after calibrating the Osprey Gear. The calibration time is saved as “time\_start”.

Further, in the constructed schemes, the subsystems of balancing and control are presented. In the circuit shown in Figure 17 is a block “DiscreteDerivativeBlock”, which calculates the time constant of reverse differentiation block and “DiscreteIntegratorBlock”, which calculates the time integral by Euler method.

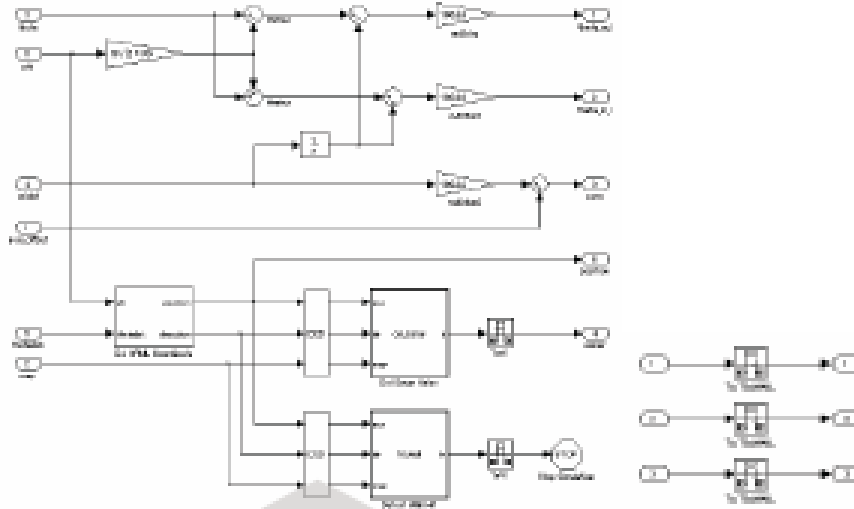


Figure10 - Sensor Subsystem

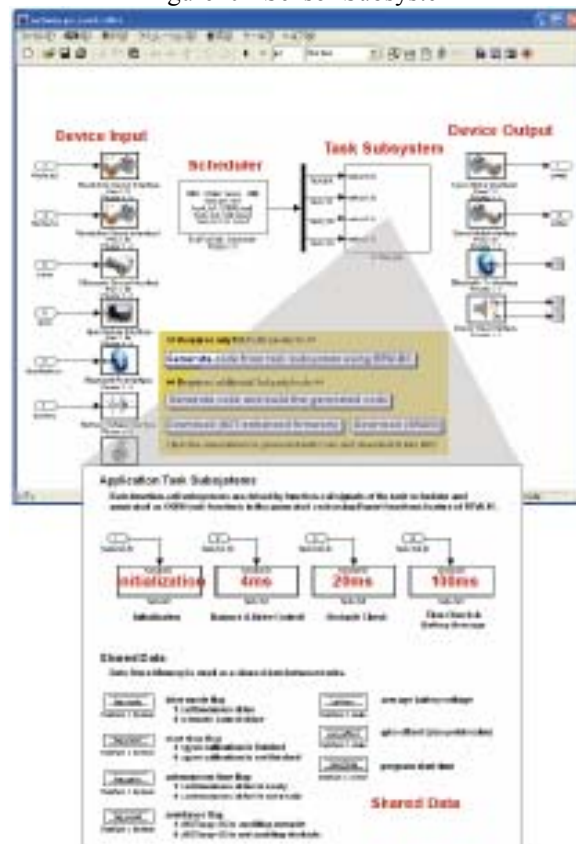


Figure 11 - Operation scheme nxtway\_gs controller applications.mdl

### Shared Data

Data Store Memory is used as a shared data between tasks.

fls_ready	drive mode flag 1 : autonomous drive 0 : remote control drive	is_horn	average battery voltage
fls_start	start time flag 1 : gyro calibration is finished 0 : gyro calibration is not finished	gyro_offset	gyro offset (zero point value)
fls_auto	autonomous time flag 1 : autonomous drive is ready 0 : autonomous drive is not ready	start_time	program start time
fls_avoid	avoidance flag 1 : IDT way-GS is avoiding obstacle 0 : IDT way-GS is not avoiding obstacle		

Figure 12 - Distributed data blocks

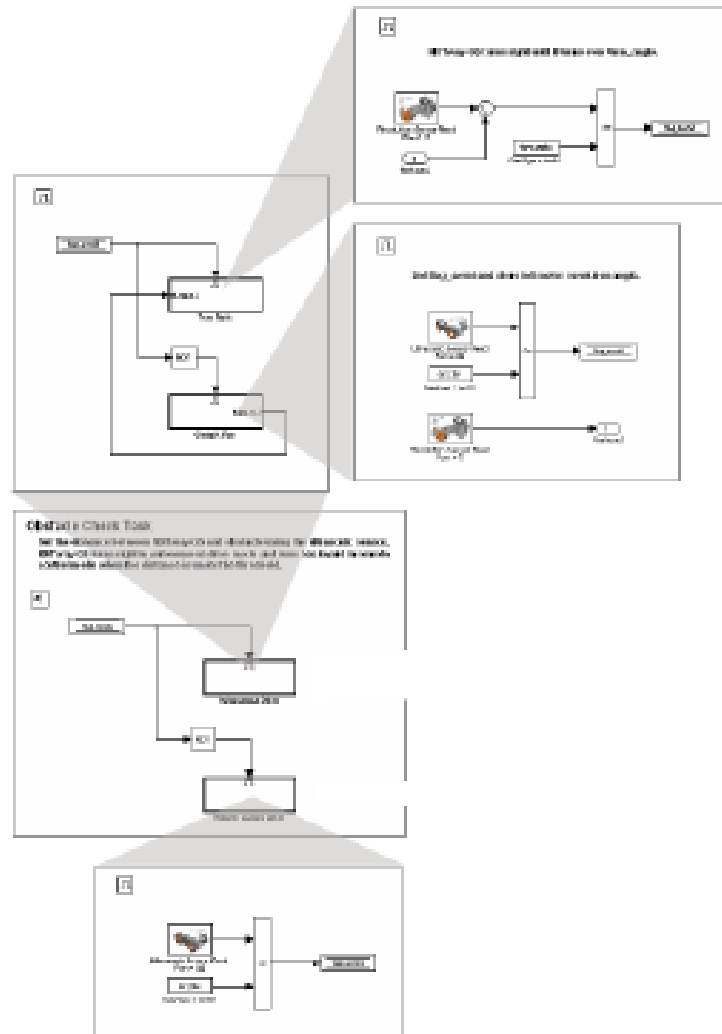


Figure13 - The task\_ts2 subsystem responds for detecting and avoiding robbery

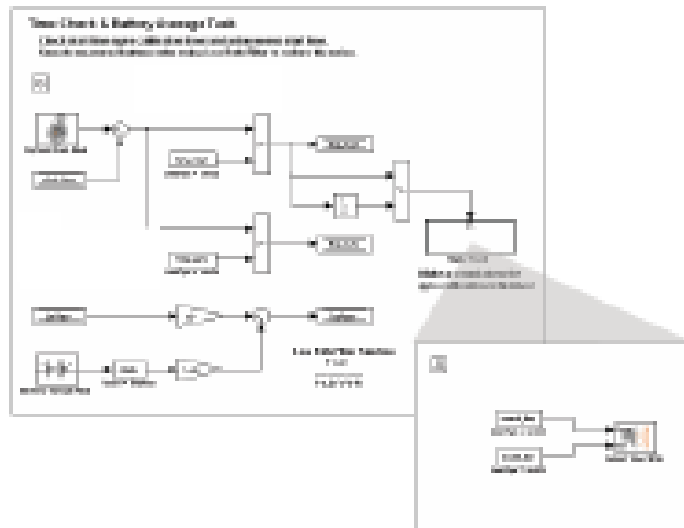


Figure 14 - The task\_ts3 subsystem is responsible for counting time, and check the battery level of the robot

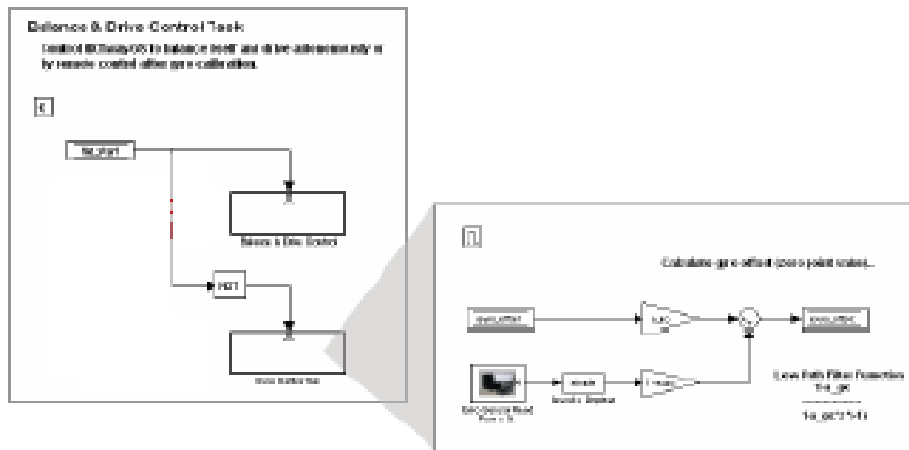


Figure 15 - The task\_ts1 subsystem is used to calibrate the gyroscope and balancing, as well as for managing and recording data

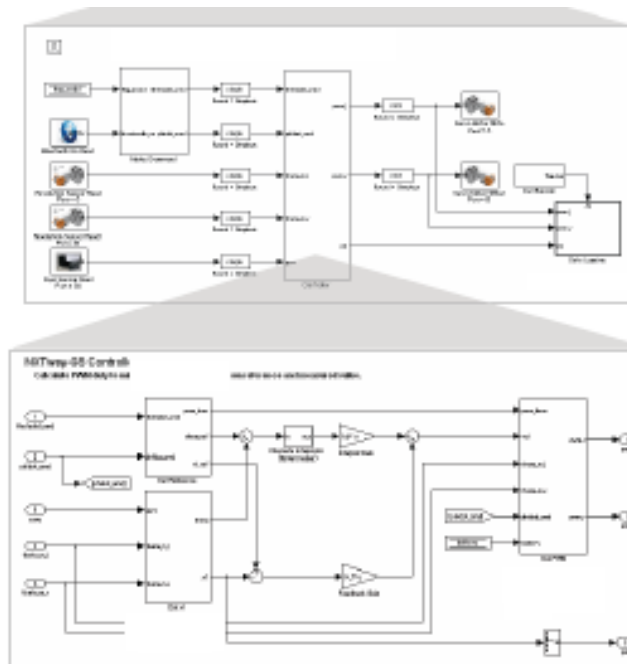


Figure 16 - Controller model for control in balance mode

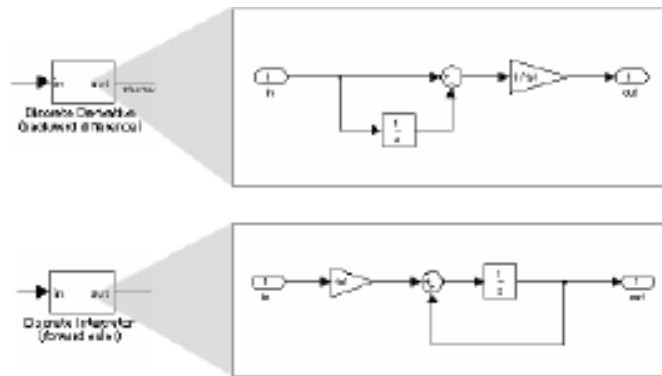


Figure 17 - Blocks of the controllers «Discrete Derivative» and «Discrete Integrator Block»

Figure 17 also contains the blocks responsible for the calculation of the signal level, and with the use of a low pass filter for reducing surges caused by abrupt changes in speed of the generated signal. Figure 18 shows the method for calculating the generated controls.

Subsystem shown in Figure 19 calculates the state of the system using the sensor output signals. Long gyro data is used to remove "girodriфта" (gidrodreyfa), and a low pass filter is used for removing away move speed signal. The subsystem shown in Figure 20 is responsible for calculating the supply of the required power to the servo drives.

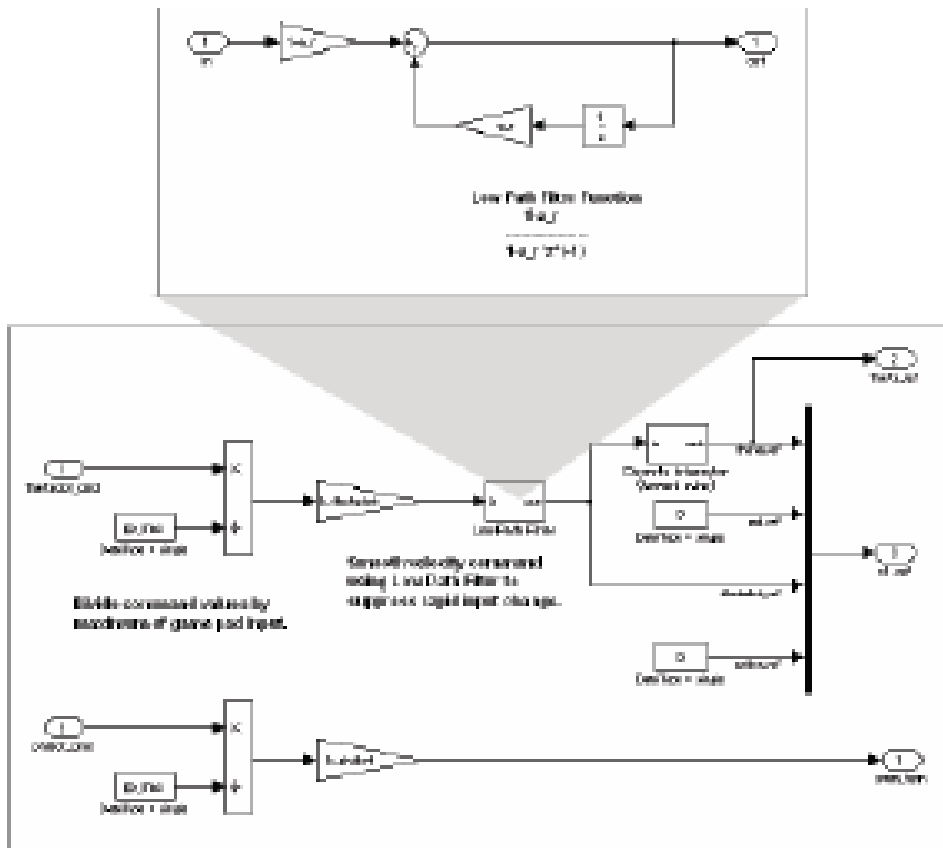


Figure 18 - Procedure for Calculating p and controls generated

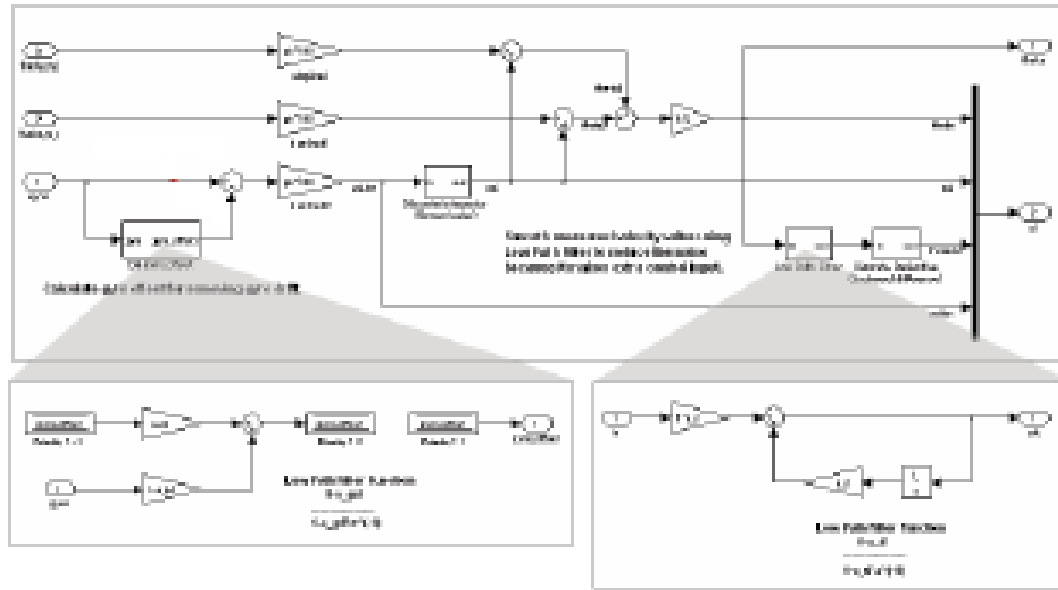


Figure 19 - Monitoring and monitoring the state of the model as a closed system

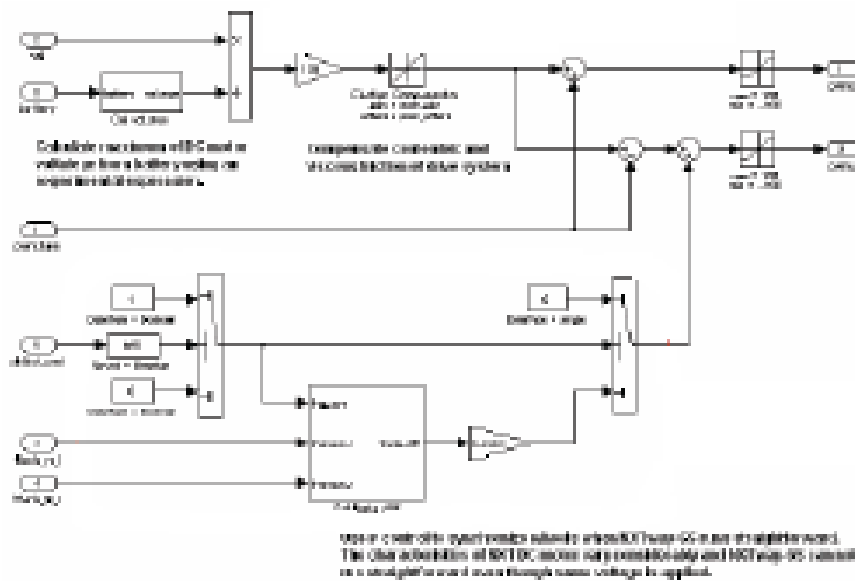


Figure 20 - Procedure for calculating p and the power supplied to the robot servo

**The simulation results.** The use of the utility “NXT GamePad” can register and record the value of an angle of inclination of the robot of the gyroscope and the robot regarding to the beginning of the movement using the values of the encoder of one of the servomotors. Figures 21 and 22 show the results of experimental research in the form of a graph of the data obtained by balancing the robot in a steady state and in a motion, respectively.

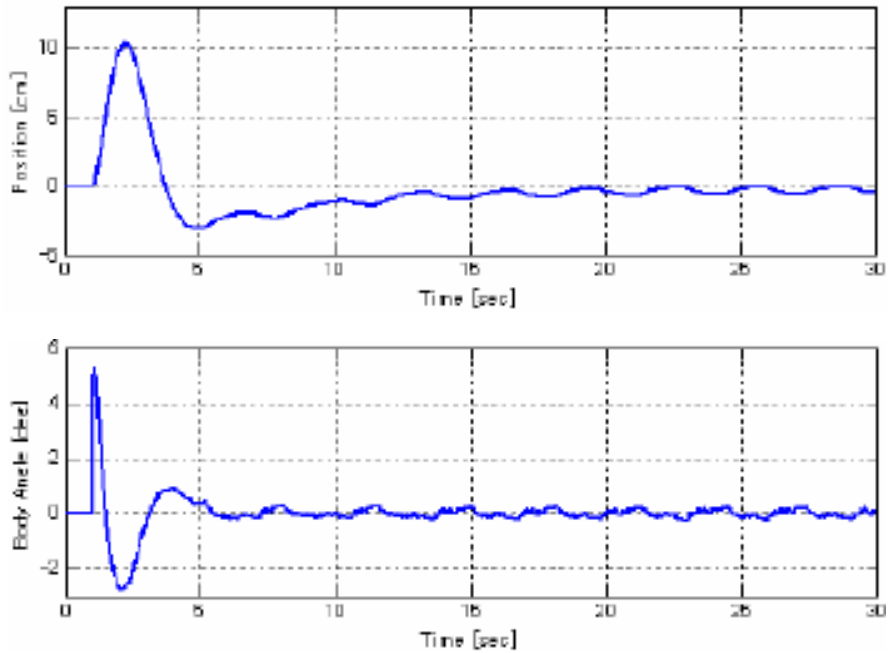


Figure 21 - Model results in a steady state

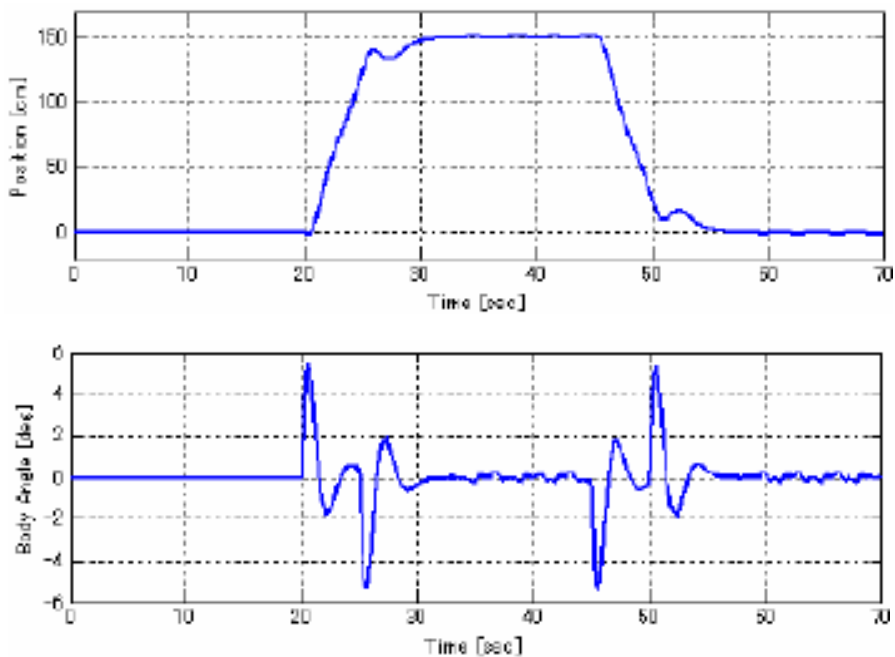


Figure 22 - Simulation results in motion

**Findings.** The article addresses the problems of stability of a balancing robot in motion in accordance with the laws of TAU. The stability of a closed system on the basis of feedback has been investigated. The coefficients were synthesized using the following methods: calculation by the desired roots and the linear quadratic regulator method. According to the defined parameters of the PID controller, functional diagrams are compiled for controlling the robot servos. The results of experimental studies of balancing a robot in static and dynamic conditions were obtained using the NINXT GamePad utility, taking into account the value of the tilt angle of the robot from the gyroscope relative to the start of movement, using the encoder value of one of the servomotors. Registered statistics for specific values of the parameters of the controller of the robot show the degree of compliance with its stability when the robot moves in the closed state.

<sup>1</sup>Waldemar Wojcik, С.А. Кульмамиров<sup>2</sup>, Ж.М.Алимжанова<sup>2</sup>,  
Л.М.Алимжанова<sup>2</sup>, А.М.Ахметова<sup>2</sup>, В.И.Карюкин<sup>2</sup>

<sup>1</sup>Люблинский технологический университет;

<sup>2</sup>Казахский национальный университет им. аль-Фараби

## ИССЛЕДОВАНИЕ УСТОЙЧИВОСТИ РЕГУЛЯТОРА БАЛАНСИРУЮЩЕГО РОБОТА NI MINDSTORMS

**Аннотация.** В статье представлены результаты исследования устойчивого состояния балансирующего робота, когда управление осуществляется в замкнутом состоянии. Синтез коэффициентов регулятора осуществлялся оценкой корня характеристического уравнения и линейного квадратичного регулятора. При действии ПИД-регулятора составлены алгоритмы управления сервоприводами робота. Результаты проведенных экспериментальных исследований позволили построить переходные характеристики в замкнутой системе управления роботом при балансировании состояния робота на месте и в движении.

<sup>1</sup>Waldemar Wojcik, С.А. Кульмамиров<sup>2</sup>, Ж.М.Алимжанова<sup>2</sup>,  
Л.М.Алимжанова<sup>2</sup>, А.М.Ахметова<sup>2</sup>, В.И.Карюкин<sup>2</sup>

<sup>1</sup>люблiнскiй тeхнолoгiчeскiй унiвeрситeтi;

<sup>2</sup>эл-Фараби атындағы қазақ ұлттық университеті

## РОБОТ NI MINDSTORMS РЕГУЛЯТОРДЫҢ ТҰРАҚТЫЛЫҒЫН ЗЕРТТЕУ ТЕНДЕСТІРУ

**Аннотация.** Мақалада тендестіру роботының тұрақты күйін зерттеудің нәтижелері келтірілген, ол бақылау жабық жағдайда орындалады. Реттеуші коэффициенттерді синтездеу тәндік тендеудің түбірін және сызықтық квадраттық реттегішті бағалау арқылы жүзеге асырылды. PID контроллерінің әрекеті бойынша робот серверлерін басқару алгоритмдері жасалады. Эксперименттік зерттеулердің нәтижелері біз роботтың жай-күйі мен қозғалу жағдайын тендестіру кезінде жабық циклық роботты басқару жүйесінде өтпелі сипаттамаларды құруға мүмкіндік берді.

### Information about authors:

Waldemar Wojcik - PhD of informatics and electronics, The Lublin University of Technology, professor;

Kulmamirov S.A. - Associate Professor of the Department "Information Systems", Ph.D., Academician MAIN. Kazakh National University al- Farabi;

Alimzhanova Zh.M. - Associate Professor of the Department "Information Systems", Ph.D., Kazakh National University al- Farabi;

Alimzhanova L.M. - Associate Professor of the Department "Information Systems", Ph.D., Kazakh National University. al- Farabi;

Akhmetova A.M. - Department "Artificial Intelligence and BigData " PhD Kazakh National University. al- Farabi;

Karyukin V.I. - teacher of the department "Information Systems", Kazakh National University. al- Farabi

### REFERENCES

[1] Bobtsov A.A., Kapitanuk Yu. A., Kapitonov A. A., Kolyubin S. A., Pyrkin A. A., Chepinsky S. A., Shavetov S. V. LEGO MINDSTORMS NXT technology in studing Dents of the basics of adaptive management // Scientific and Technical Bulletin of St. Petersburg State University ITMO. 2011. No. 1. P.103-108.

[2]Information Control Problems in Manufacturing, V. 1-14.

[3]Bobtsov AA, Pyrkin AA, Borgul AS, Zimenko KA Control Approaches for Com-plicated Self-Unstable Plants with Two-Wheel Mobile Robot Motobot // Preprints of the 9th IFAC Symposium on Advances in Control Education ( ACE2012), Nizhny Novgorod, Russia, 2012, pp. 107-111.

[4]Bobtsov AA, Kolyubin SA, Pyrkin AA, Borgul AS, Zimenko KA, Rabysh EY Mechatronic and Robotic Setups for Modern Control Theory Workshops // Precinints of the 9th IFAC, Nizhny Novgorod, Rus-sia, 2012, pp. 348-353.

[5] Bobtsov A. A., Pyrkin A. A., Borgul A. S., Zimenko K. A. Algorithms for managing the autonomous two-wheeled mobile robot "Motobot" // Scientific and Technical Newsletter of St. Petersburg State University ITMO, 2011, # 75, ss . 63–68.

[6] Borgul A. S., Gromov V. S., Zimenko K. A., Maklashevich S. Yu. System and Bolbota Stabilization Algorithms // Scientific and Technical Bulletin of St. Petersburg State University ITMO, 2011, # 75, ss. 58–63.



- [7] Korolkova M. A., Krasnova S. A. Using NXTOSEK and EMBEDDED CODER ROBOT NXT for programming the LEGO MINDSTORMS NXT robot // Reports of the Fifth International Conference “Parallel Computing and Control Problems” PACO 2010, Moscow. P.1489-1496.
- [8] Luchin R.M. Programming embedded systems: from model to robot // SPb.: Nauka, 2011. 184 p.
- [9] LEGO firmware. <http://mindstorms.lego.com>
- [10] leJOS. <http://lejos.sourceforge.net>
- [11] nxtOSEK. <http://lejos-osek.sourceforge.net>
- [12] OSEK. <http://portal.osek-vdx.org>
- [13] ECRobotInstaller. [www.mathworks.com/matlabcentral/fileexchange/25207](http://www.mathworks.com/matlabcentral/fileexchange/25207)
- [14] Explorer. [www.nxtprograms.com/NXT2/explorer/index.html](http://www.nxtprograms.com/NXT2/explorer/index.html)
- [15] NXT GamePad <http://lejos-osek.sourceforge.net/nxtgamepad.htm>.
- [16] US Navy Academy to Acquire 50 RobotisBioid Humanoid Robot Kits from KumoTek <http://www.azonano.com/news.aspx?NewsID=4498>
- [17] Programming Bioid robot in C. [http://support.robotis.com/en/software/embedded\\_c/cm510\\_cm700.htm](http://support.robotis.com/en/software/embedded_c/cm510_cm700.htm).
- [18] ROBOTIS BIOLOID [http://www.robotis.com/xe/BIOLOID\\_main\\_en](http://www.robotis.com/xe/BIOLOID_main_en).
- [19] Benedettelli D., Casini M., Garulli A., Giannitrapani A., Vicino A.A. LEGO Mindstorms experimental setup for multi-agent systems // Control Applications, (CCA) & Intelligent Control, (ISIC), 2009 IEEE, pp. 1230-1235.
- [20] Brigandi S., Yunfeng Wang, Field J. A LEGO Mindstorms NXT based multirobot system // Advanced Intelligent Mechatronics (AIM), 2010 IEEE / ASME International Conference, pp. 135-139.
- [21] Akhtaruzzaman, M., Shafie A. A. Geometrical analysis of humanoid system by BIOLOID humanoid system standing on single leg // Mechatronics (ICOM), 2011 4th International Conference, pp. 1-5.
- [22] RoboCup. <http://www.robocup.org>.
- [23] Kalimoldayev, M.N., Pak, I.T., Baipakbayeva, S.T., Mun, G.A., Shaltykova, D.B., Suleimenov, I.E. Methodological basis for the development strategy of artificial intelligence systems in the republic of Kazakhstan in the message of the president of the Republic of Kazakhstan // News of the National Academy of Sciences of the Republic of Kazakhstan, Series of Geology and Technical Sciences 6(432), - c. 47-54. - 2018. <https://doi.org/10.32014/2018.2518-170X.34>
- [24] RoboPlus. Software for robot BIOLOID. <http://www.wertech.ru/Blog/23-roboplus-bioid.aspx>.
- [25] Samigulina, G.A., Nyusupov, A.T., Shayakhmetova, A.S. Analytical review of software for multi-agent systems and their applications // News of the National Academy of Sciences of the Republic of Kazakhstan, Series of Geology and Technical Sciences. - 3(429), c. 173-181. – 2018
- [26] Askarova A.S., Bolegenova S.A., Safarik P., Bolegenova S.A., Maximov V.Yu., Beketayeva M.T., Nugymanova A.O. **(2018)** Modern computing experiments on pulverized coal combustion processes in boiler furnaces. *News of the National academy of sciences of the Republic of Kazakhstan. Physico-mathematical series Volume 6, Number 322 (2018), Pp. 5 – 14. ISSN 1991-346X <https://doi.org/10.32014/2018.2518-1726.11>*

---

**Publication Ethics and Publication Malpractice  
in the journals of the National Academy of Sciences of the Republic of Kazakhstan**

For information on Ethics in publishing and Ethical guidelines for journal publication see <http://www.elsevier.com/publishingethics> and <http://www.elsevier.com/journal-authors/ethics>.

Submission of an article to the National Academy of Sciences of the Republic of Kazakhstan implies that the described work has not been published previously (except in the form of an abstract or as part of a published lecture or academic thesis or as an electronic preprint, see <http://www.elsevier.com/postingpolicy>), that it is not under consideration for publication elsewhere, that its publication is approved by all authors and tacitly or explicitly by the responsible authorities where the work was carried out, and that, if accepted, it will not be published elsewhere in the same form, in English or in any other language, including electronically without the written consent of the copyright-holder. In particular, translations into English of papers already published in another language are not accepted.

No other forms of scientific misconduct are allowed, such as plagiarism, falsification, fraudulent data, incorrect interpretation of other works, incorrect citations, etc. The National Academy of Sciences of the Republic of Kazakhstan follows the Code of Conduct of the Committee on Publication Ethics (COPE), and follows the COPE Flowcharts for Resolving Cases of Suspected Misconduct ([http://publicationethics.org/files/u2/New\\_Code.pdf](http://publicationethics.org/files/u2/New_Code.pdf)). To verify originality, your article may be checked by the Cross Check originality detection service <http://www.elsevier.com/editors/plagdetect>.

The authors are obliged to participate in peer review process and be ready to provide corrections, clarifications, retractions and apologies when needed. All authors of a paper should have significantly contributed to the research.

The reviewers should provide objective judgments and should point out relevant published works which are not yet cited. Reviewed articles should be treated confidentially. The reviewers will be chosen in such a way that there is no conflict of interests with respect to the research, the authors and/or the research funders.

The editors have complete responsibility and authority to reject or accept a paper, and they will only accept a paper when reasonably certain. They will preserve anonymity of reviewers and promote publication of corrections, clarifications, retractions and apologies when needed. The acceptance of a paper automatically implies the copyright transfer to the National Academy of Sciences of the Republic of Kazakhstan.

The Editorial Board of the National Academy of Sciences of the Republic of Kazakhstan will monitor and safeguard publishing ethics.

Правила оформления статьи для публикации в журнале смотреть на сайтах:

[www:nauka-nanrk.kz](http://www.nauka-nanrk.kz)

<http://physics-mathematics.kz/index.php/en/archive>

**ISSN 2518-1726 (Online), ISSN 1991-346X (Print)**

Редакторы *М. С. Ахметова, Т.А. Апендиев, Д.С. Аленов*  
Верстка на компьютере *А.М. Кульгинбаевой*

Подписано в печать 10.06.2019.  
Формат 60x881/8. Бумага офсетная. Печать – ризограф.  
8,3 п.л. Тираж 300. Заказ 3.

---

---

*Национальная академия наук РК*  
*050010, Алматы, ул. Шевченко, 28, т. 272-13-18, 272-13-19*